

BG Series

Close-coupled self-priming centrifugal pumps with built-in ejector system, designed to remain primed even in the presence of water-dissolved gases. The extensive use of pressed stainless steel ensures a high-performance, durable and lightweight pump.

Available in the "Garden" version with handle and terminal box with built-in switch.

Specifications

Delivery: up to 4.2 m³/h
Head: up to 53 m
Power supply: three-phase and single-phase 50 and 60 Hz
Power: 0.37 kW to 1.1 kW
Maximum operating pressure: 8 bar
Maximum total lift: 8 m
Maximum ambient temperature: 40°C
Temperature of pumped liquid: -10°C to +40°C
Insulation class: F
Protection: IP55

Materials

Pump body: Stainless steel
Impeller: Stainless steel
Diffuser: Technopolymer
Ejector: Technopolymer
Seal housing: Stainless steel
Mechanical seal: Ceramic/Carbon/EPDM
Fill and drain plugs: Nickel-plated brass
Elastomers: EPDM

Applications

Water distribution

Pressure boosting

Irrigation

Washing

Rain water collection

Swimming pools

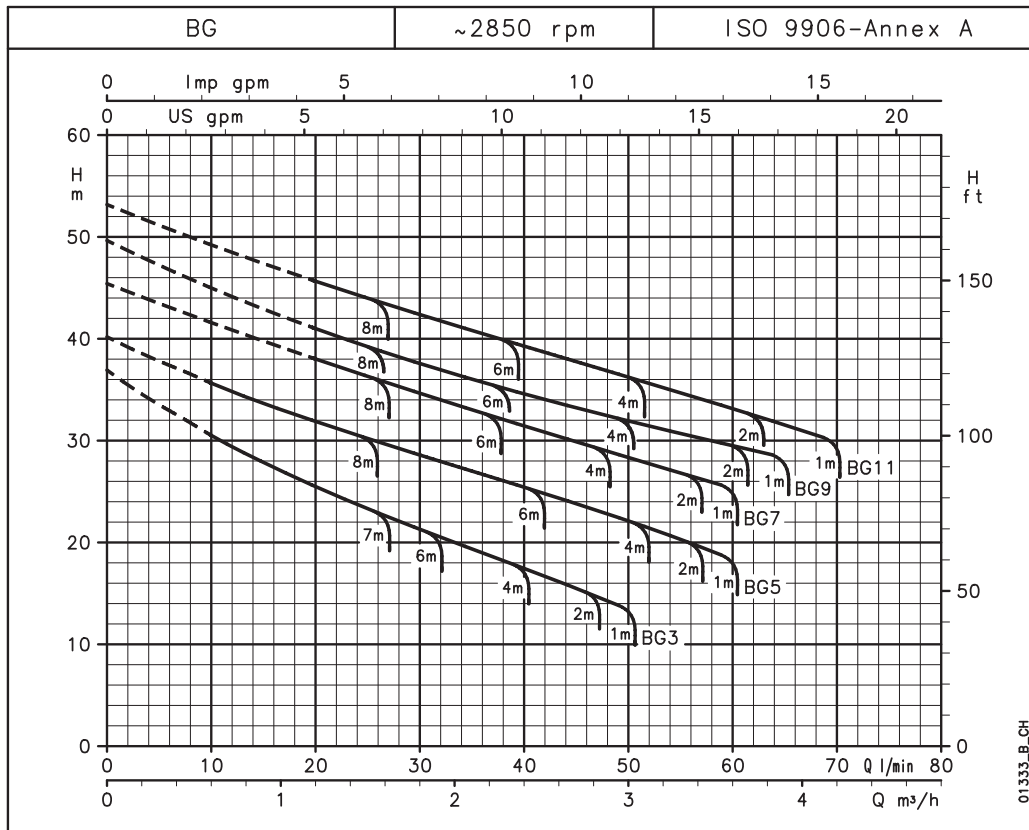
Fountains



For a complete list of technical information, consult www.lowara.com

BG SERIES

Operating characteristics at 50 Hz



Hydraulic performance table

| PUMP TYPE | RATED POWER | | Q = DELIVERY | | | | | | | | | |
|-----------|-------------|------|--|------|------|------|------|------|------|------|------|-----|
| | | | l/min | 0 | 10 | 20 | 30 | 40 | 50 | 60 | 65 | 70 |
| | | | m ³ /h | 0 | 0,6 | 1,2 | 1,8 | 2,4 | 3 | 3,6 | 3,9 | 4,2 |
| | kW | HP | H = TOTAL HEAD IN COLUMN OF WATER (METRES) | | | | | | | | | |
| BG(M)3 | 0,37 | 0,5 | 36,9 | 30,6 | 25,6 | 21,5 | 17,7 | 13,8 | | | | |
| BG(M)5 | 0,55 | 0,75 | 40,2 | 35,7 | 32,0 | 28,8 | 25,7 | 22,4 | 18,8 | | | |
| BG(M)7 | 0,75 | 1 | 45,4 | | 38,1 | 34,8 | 31,7 | 28,6 | 25,6 | | | |
| BG(M)9 | 0,9 | 1,2 | 49,6 | | 41,1 | 37,7 | 34,8 | 32,2 | 29,8 | 28,6 | | |
| BG(M)11 | 1,1 | 1,5 | 53,2 | | 45,8 | 42,5 | 39,5 | 36,5 | 33,5 | 31,9 | 30,3 | |

Maximum delivery depends on geodetic suction lift with clean 8 m pipe and 1 1/4" foot valve.

bg-2p50_a_th

These performances are valid for liquids with density $\rho = 1.0 \text{ kg/dm}^3$ and kinematic viscosity $\nu = 1 \text{ mm}^2/\text{s}$.

Electrical data

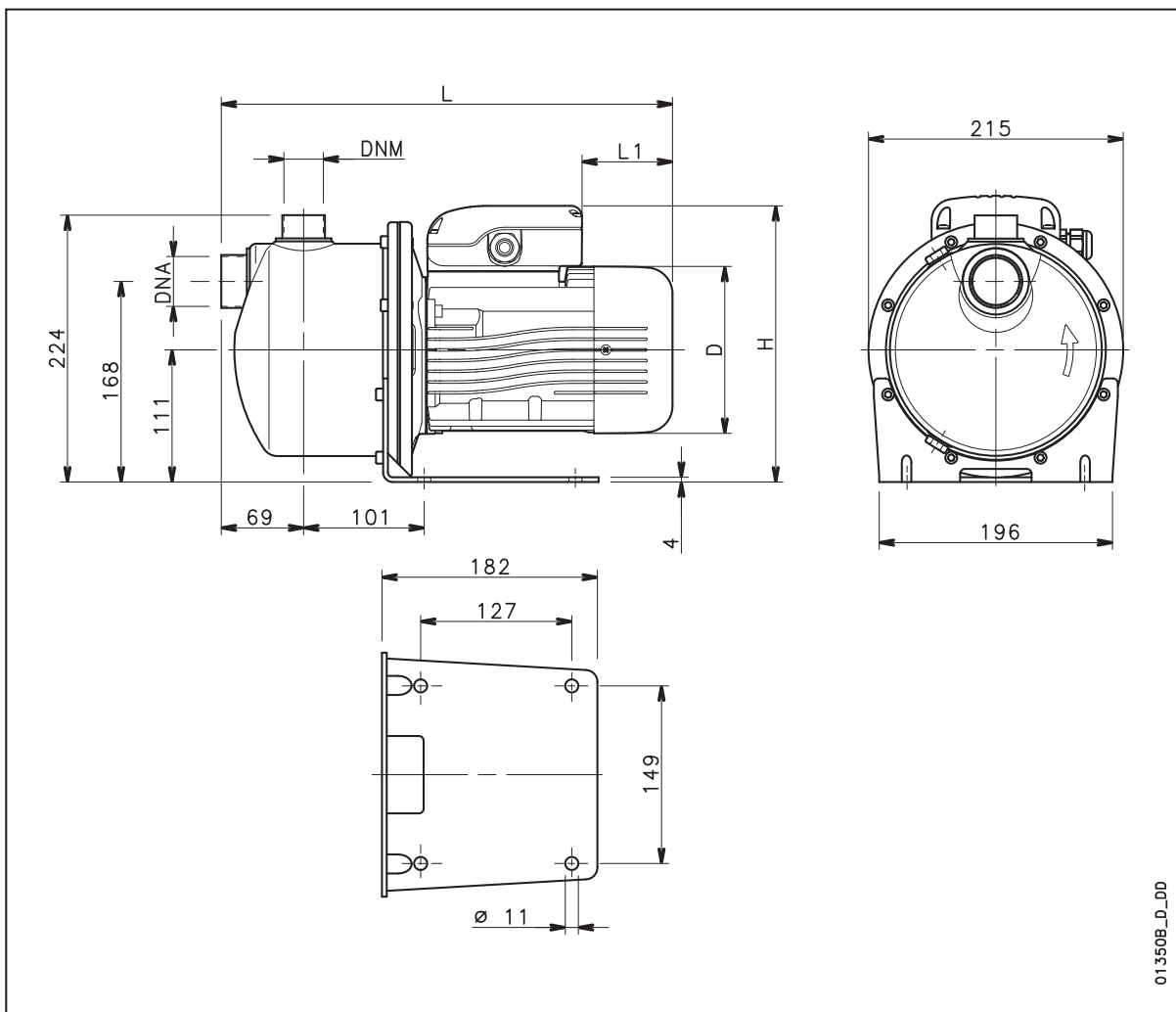
| PUMP TYPE | MOTOR TYPE | INPUT | | | PUMP TYPE | MOTOR TYPE | INPUT | | |
|-----------|-------------|--------|----------------|-------------------------------|-----------|--------------|--------|----------------|----------------|
| | | POWER* | CURRENT* | CAPACITOR | | | POWER* | CURRENT* | CURRENT* |
| 1 ~ | | kW | 220-240 V A | $\mu\text{F} / 450 \text{ V}$ | 3 ~ | | kW | 220-240 V A | 380-415 V A |
| BGM3 | SM63BG/1045 | 0,67 | 2,96 | 14 | BG3 | SM63BG/304 | 0,68 | 2,56 | 1,48 |
| BGM5 | SM71BG/1055 | 0,91 | 4,33 | 16 | BG5 | SM71BG/305 | 0,81 | 2,74 | 1,58 |
| BGM7 | SM71BG/1075 | 1,11 | 5,00 | 20 | BG7 | SM80BG/307HE | 1,07 | 3,32 | 1,92 |
| BGM9 | SM71BG/1095 | 1,24 | 5,54 | 25 | BG9 | SM80BG/311HE | 1,15 | 3,65 | 2,11 |
| BGM11 | SM80BG/1115 | 1,43 | 6,47 | 30 | BG11 | SM80BG/311HE | 1,34 | 4,12 | 2,38 |

*Maximum value in specified range.

bg-2p50-en_b_te

BG SERIES

Dimensions and weights



01350B_D_DD

| PUMP TYPE | DIMENSIONS (mm) | | | | DNA | DNM | WEIGHT kg |
|-----------|-----------------|-----|-----|-----|-------|------|--------------|
| | D | L | L1 | H | | | |
| BGM3 | 120 | 366 | 62 | 222 | Rp 1¼ | Rp 1 | 10 |
| BGM5 | 140 | 380 | 76 | 232 | Rp 1¼ | Rp 1 | 12 |
| BGM7 | 140 | 380 | 76 | 232 | Rp 1¼ | Rp 1 | 13 |
| BGM9 | 140 | 380 | 31 | 241 | Rp 1¼ | Rp 1 | 13 |
| BGM11 | 156 | 425 | 69 | 248 | Rp 1¼ | Rp 1 | 16 |
| BG3 | 120 | 366 | 62 | 222 | Rp 1¼ | Rp 1 | 10 |
| BG5 | 140 | 380 | 76 | 232 | Rp 1¼ | Rp 1 | 12 |
| BG7 | 155 | 425 | 114 | 240 | Rp 1¼ | Rp 1 | 17 |
| BG9 | 155 | 425 | 114 | 240 | Rp 1¼ | Rp 1 | 19 |
| BG11 | 155 | 425 | 114 | 240 | Rp 1¼ | Rp 1 | 19 |

bg-2p50-en_c_td